

AREA FLOODLIGHTING

AF SERIES OF FLOODLIGHTS



Description

The AF series are general purpose, symmetrical beam floodlights, ideal for many commercial applications. Available in two sizes accommodating a large range of lamp wattages, for both high pressure sodium and metal halide lamps. The body is robust die-cast aluminium and the reflector system is a combination of peened and specular high grade aluminium.

Applications

Area Lighting Security
Sign Lighting Public Areas
Facade Lighting Tennis upgrades

Features

Body is formed from die cast aluminium
High grade aluminium reflector
Integral control gear
Metal Halide or High Pressure Sodium light sources
Available in 70w, 150w, 250w & 400w
Degree of protection - IP65
5mm toughened glass

Mounting

Trunnion Arm Mounting

The AF series floodlights have a trunnion arm mounting for various bolt-on applications. Please see drawing.

Post Top Adapters

Our purpose designed post top adaptors are an ideal accessory for ease of installation to a post top. Designed to slip over the post top, and secure to the pole and trunnion arm with provided fixings.

Available in single mount or double back to back mount to suit the following sizes:

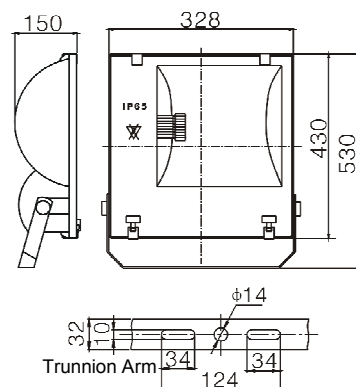
60mm, 76mm & 89mm O.D round post top

AF Series Post Top Adapters

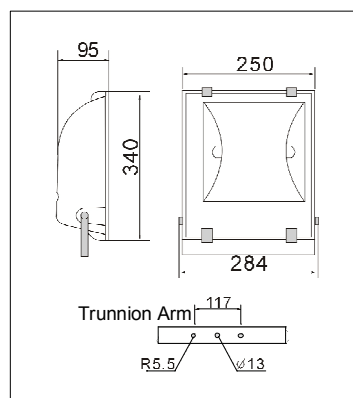
PRODUCT CODE	POLE TOP SIZE	TYPE
PA-AF-S-R60	60mm ROUND	SINGLE
PA-AF-S-R76	76mm ROUND	SINGLE
PA-AF-S-R90	90mm ROUND	SINGLE
PA-AF-D-R60	60mm ROUND	DOUBLE
PA-AF-D-R76	76mm ROUND	DOUBLE
PA-AF-D-R90	90mm ROUND	DOUBLE



AF Series - Large (AF2)



AF Series - Small (AF1)



AF Post Top Adapter

AF Series Floodlights

PRODUCT CODE	SIZE	WATTAGE	TYPE	LINE VOLTS	STARTING CURRENT	RUNNING CURRENT	MASS	SAIL AREA
AF1-70HPS240	SMALL	70	H P SODIUM	240	0.44	0.38	4.5kg	0.08m ²
AF1-150HPS240	SMALL	150	H P SODIUM	240	0.9	0.78	5.5kg	0.08m ²
AF2-250HPS240	LARGE	250	H P SODIUM	240	1.43	1.25	10.5kg	0.14m ²
AF2-400HPS240	LARGE	400	H P SODIUM	240	2.3	2	10.5kg	0.14m ²
AF1-70MH240	SMALL	70	METAL HALIDE	240	0.44	0.38	4.5kg	0.08m ²
AF1-150MH240	SMALL	150	METAL HALIDE	240	0.9	0.78	5.5kg	0.08m ²
AF2-250MH240	LARGE	250	METAL HALIDE	240	1.43	1.25	10.5kg	0.14m ²
AF2-400MH240	LARGE	400	METAL HALIDE	240	2.3	2	10.5kg	0.14m ²

For technical support and the name of your local distributor contact: **ENVIRO LIGHT AUSTRALIA**

Phone: +61 03 9737 6633

Fax: +61 03 9737 6644

Email: enquiries@tennislights.com

Website: www.environmentallighting.com.au